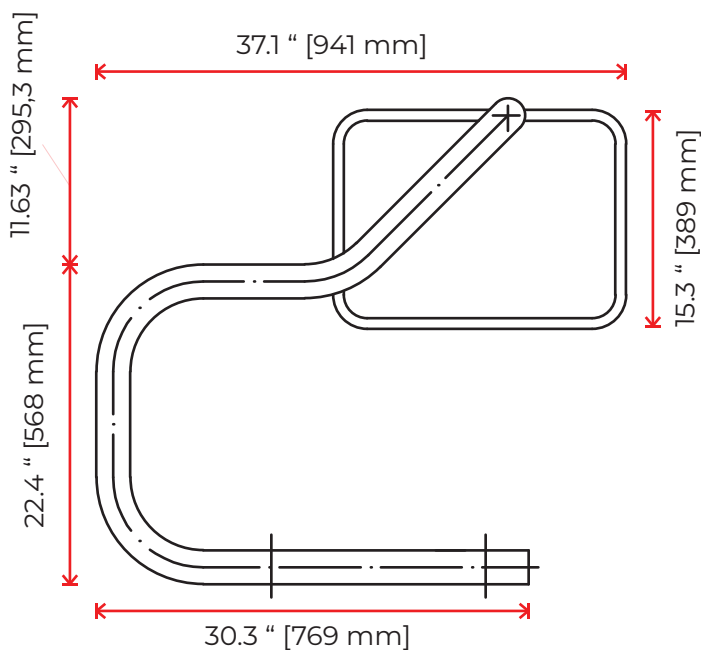


Urban Hanger (3)

Specifications



Capacity

Number of Bicycles (one-sided)	3
Number of Bicycles (two-sided)	6
Bicycle Spacing	11.3 " [287 mm]

Weight

Total Weight	91.6 lbs [41.6 kg]
--------------	--------------------

Materials

Assembly Material	Steel
Pipe Diameter	2.37 in [60 mm]
Pipe Thickness	0.15 " [4 mm]
Rod Thickness	0.78 " [20 mm]

Anti-theft feature

Optional Tamper-proof Security Bolts

Available Finishes

- Powder Coated
- Hot-dipped Galvanized
- Stainless Steel

