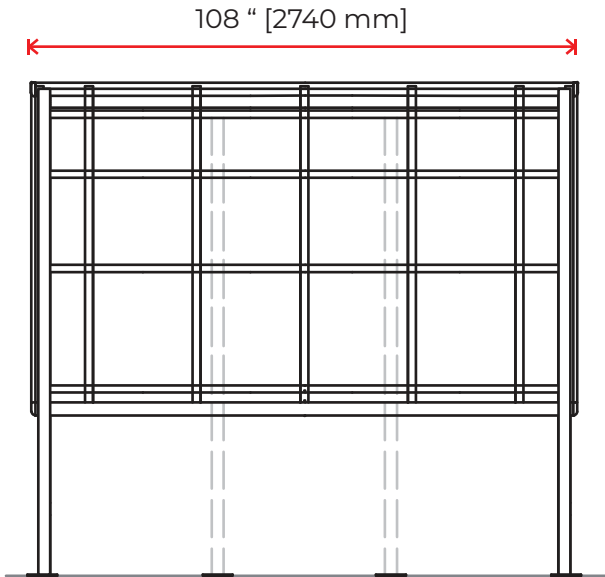


Urban Shelter

Specifications

Front



Capacity

Number of Bicycles 6 Using Urban Staple Racks

Weight

Total Weight 200.00 lbs [90.91 kg]

Materials

Assembly Material Type 6013 Aluminum

Roof Material 4 mm Polycarbonate Sheet

Available finishes

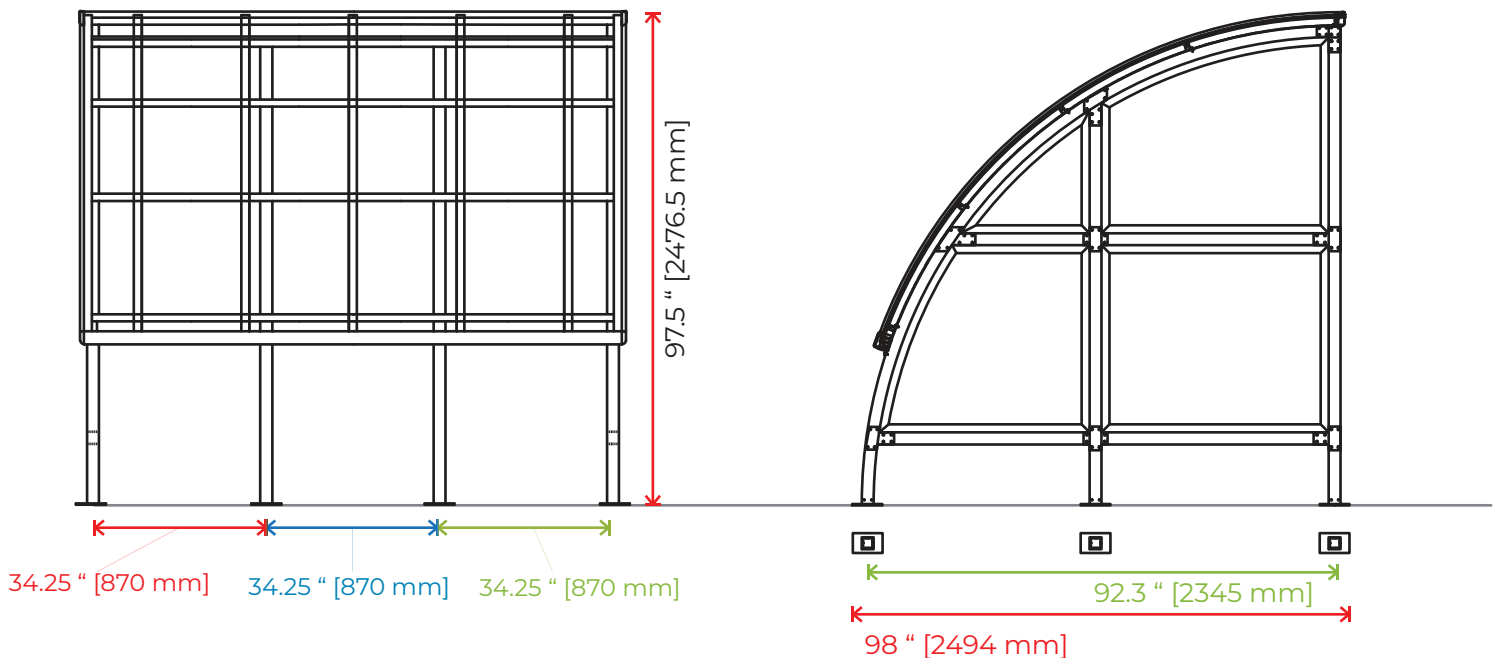
Aluminum

Available roof colors

Transparent

■ Smoked grey

Back



These drawings are not for construction purposes and are for information purposes only. All information contained herein was current at the time of development but must be reviewed and confirmed by Urban Racks to be considered accurate

www.urbanracks.com | sales@urbanracks.com
+1-888-717-8881 | [@urbanracks](https://www.instagram.com/urbanracks)



© 2020 Urban Racks Bicycle Parking Systems Inc. All Rights Reserved.