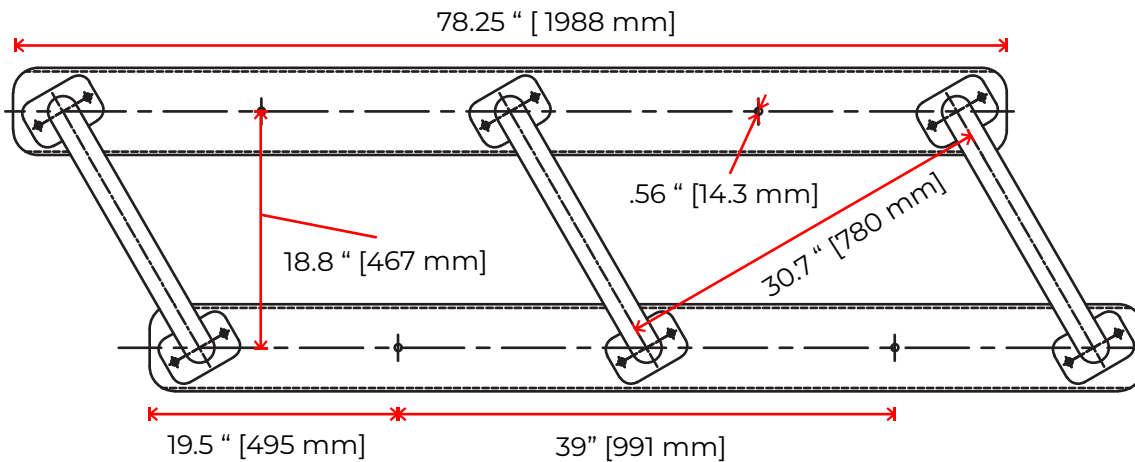
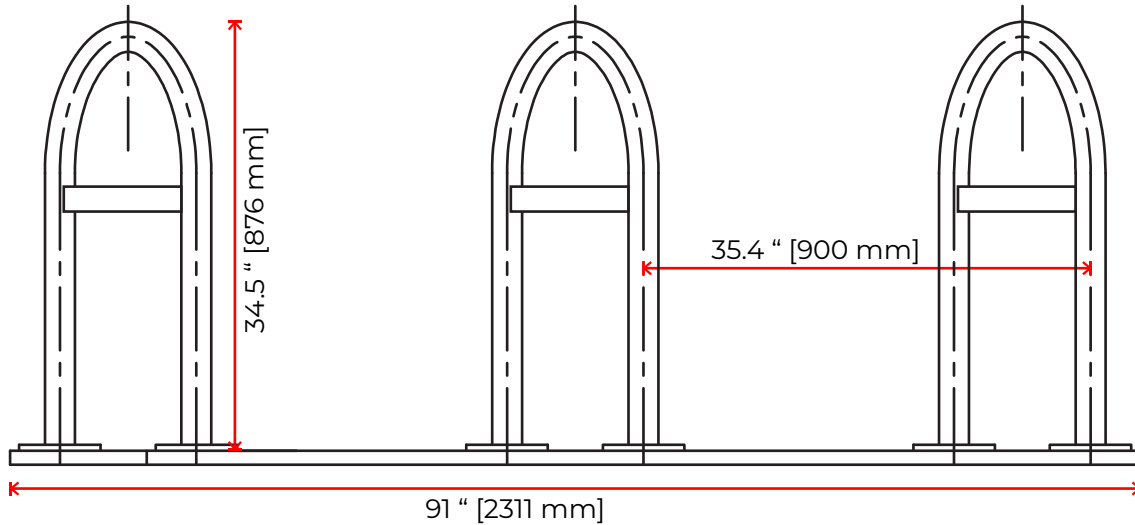


Urban Corral



Capacity

Number of bicycles 6

Weight

Total Weight 161 lbs [73 kgs]

Base Element Weight 34 lbs [15.4 kgs]

Materials

Assembly Material Steel

Base Thickness .375" [9.5 mm]

Anti-theft Feature

Optional Tamper-proof Security Bolts

Available Finishes

Powder Coated

Hot-dipped Galvanized

Stainless Steel



These drawings are not for construction purposes and are for information purposes only. All information contained herein was current at the time of development but must be reviewed and confirmed by Urban Racks to be considered accurate.

