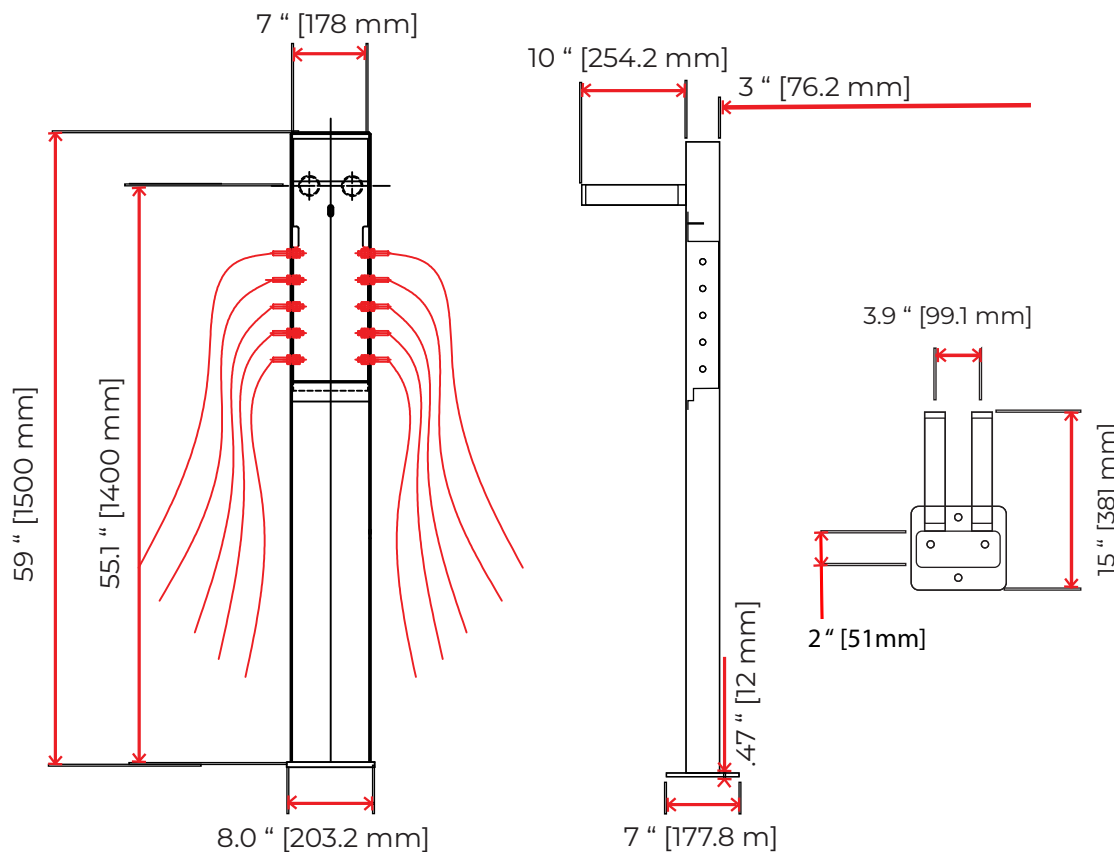


Urban Repair Stand

URBAN RACKS
INNOVATIVE | BICYCLE PARKING



Primary Features

- Optimum Working Height
- 10 Vital Tools
- Suitable for Infloor or Outdoor Applications
- Lockable Tool Compartment

Weight

Total Weight 71.65 lbs [32.5 kg]

Materials

Assembly Material Steel
Abrasion and Slip Resistant Hanger

Anti-theft Feature

Optional Tamper-proof Security Anchors

Available Finishes

Powder Coated
Hot Dipped Galvanized

Included Tools

- Phillips Screwdriver
- Stubby Phillips Screwdriver
- Slotted Screwdriver
- Stubby Slotted Screwdriver
- 2 x Tire Levers
- Adjustable Wrench
- Combination Wrench
- Multi Torx Set
- Multi Hex Set (Metric)



These drawings are not for construction purposes and are for information purposes only. All information contained herein was current at the time of development but must be reviewed and confirmed by Urban Racks to be considered accurate.

www.urbanracks.com | sales@urbanracks.com
+1-888-717-8881 | [@urbanracks](https://www.instagram.com/urbanracks)

© Urban Racks Bicycle Parking Systems Inc., 2020. Tous droits réservés.

