

Urban Double Stacker - Installation Guidelines

The Urban Double Stacker Rack is a two tier, ground mounted assembly available in either standard or narrow aisle configurations. This guide refers to the standard aisle stacker.

Minimum Ground Requirements

Concrete: common concrete floors are recommended for ground mounting.

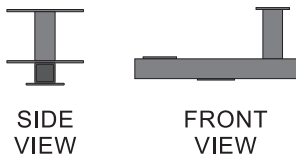
Asphalt: asphalt is not an ideal mounting surface, however the use of an effective asphalt epoxy adhesive will help to insure a stable installation.

Tools Required

Tape Measure
 Level
 Chalk Line (optional)
 Ratchet with Extension or Drill/Driver
 1/2" Masonry Drill Bit
 Hammer Drill
 Hammer
 Deep Socket with Extension

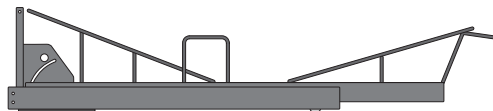
Parts Identification

Upper Beam



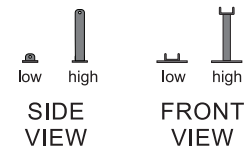
Requires 4 L bolts w/nuts for mounting to support

Upper Bike Tray



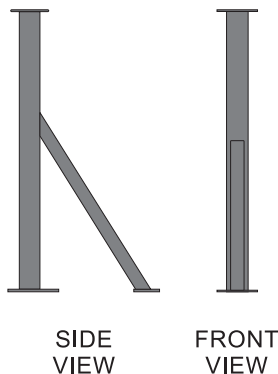
Requires 4 L bolts w/nuts for mounting to upper beam

Floor Mounts



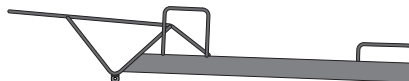
Requires 2 concrete anchors each

Upper Beam Support



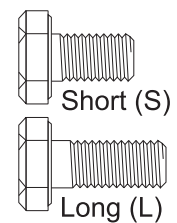
Requires 6 concrete anchors each

Lower Bike Tray



Requires 2 S bolts w/nuts for mounting to floor beam

Assembly Bolts



Recommended Anchor Types



1/2" x 3-3/4"
 Wedge Anchor

URBAN RACKS

INNOVATIVE | BICYCLE PARKING

1-888-717-8881 sales@urbanracks.com

For more product and company information, please visit us at www.urbanracks.com

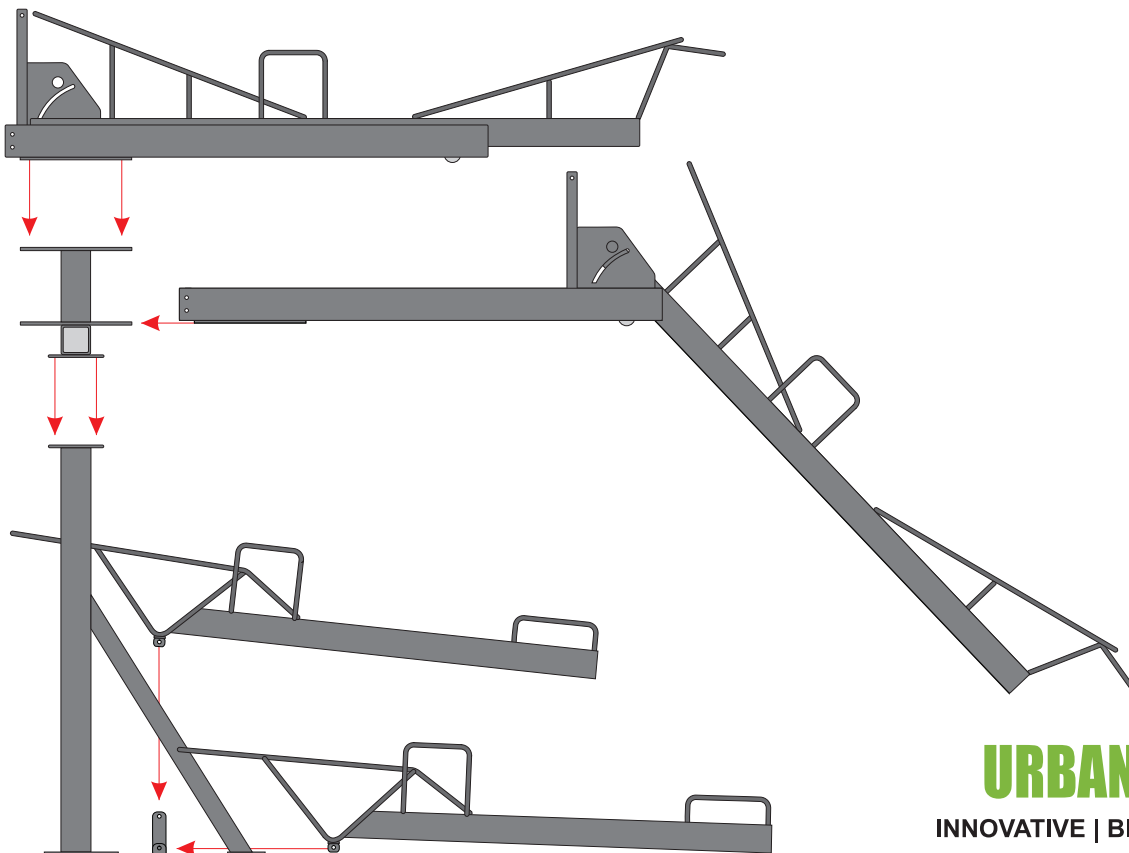
Urban Double Stacker - Installation Guidelines

General Assembly Tips

Urban Double Stacker racks must be properly secured to a concrete surface. Failure to do so may result in injury to the end user.

- Layout the parts of the supporting structure on the ground prior to assembly
- Refer to the setback drawing below for recommended clearances
- Place the upper beam supports in it's approximate position and with a helper, position the upper beam onto it and align the mounting holes
- Using the large bolts, install the bolts with nuts and washers (finger tight)
- Square up the support relative to the beam and tighten all four bolts securely
- Do not install the upper bike trays onto the supporting structure until the structure is fully assembled and properly anchored
- Position the structure into it's proper location
- Use the assembled structure as a drilling template, and using a masonry bit, drill suitable holes for the anchors
- Set concrete anchors to secure the structure to the mounting surface
- Position the first upper bike tray onto the first mounting point on the upper beam, and while a helper holds the tray in place, install four large bolts with nuts and washers; tighten the bolts securely
- Position the floor mounts in front of the upper beam support (refer to setback diagram) but do not anchor
- Using two small bolts for each lower bike tray, install the trays onto the mounting points of the floor mounts
- Position the lower assemblies into their final place, making sure that parked bikes will have appropriate clearance, and anchor the floor mounts into place

General Assembly Diagram



URBAN RACKS

INNOVATIVE | BICYCLE PARKING

1-888-717-8881 sales@urbanracks.com

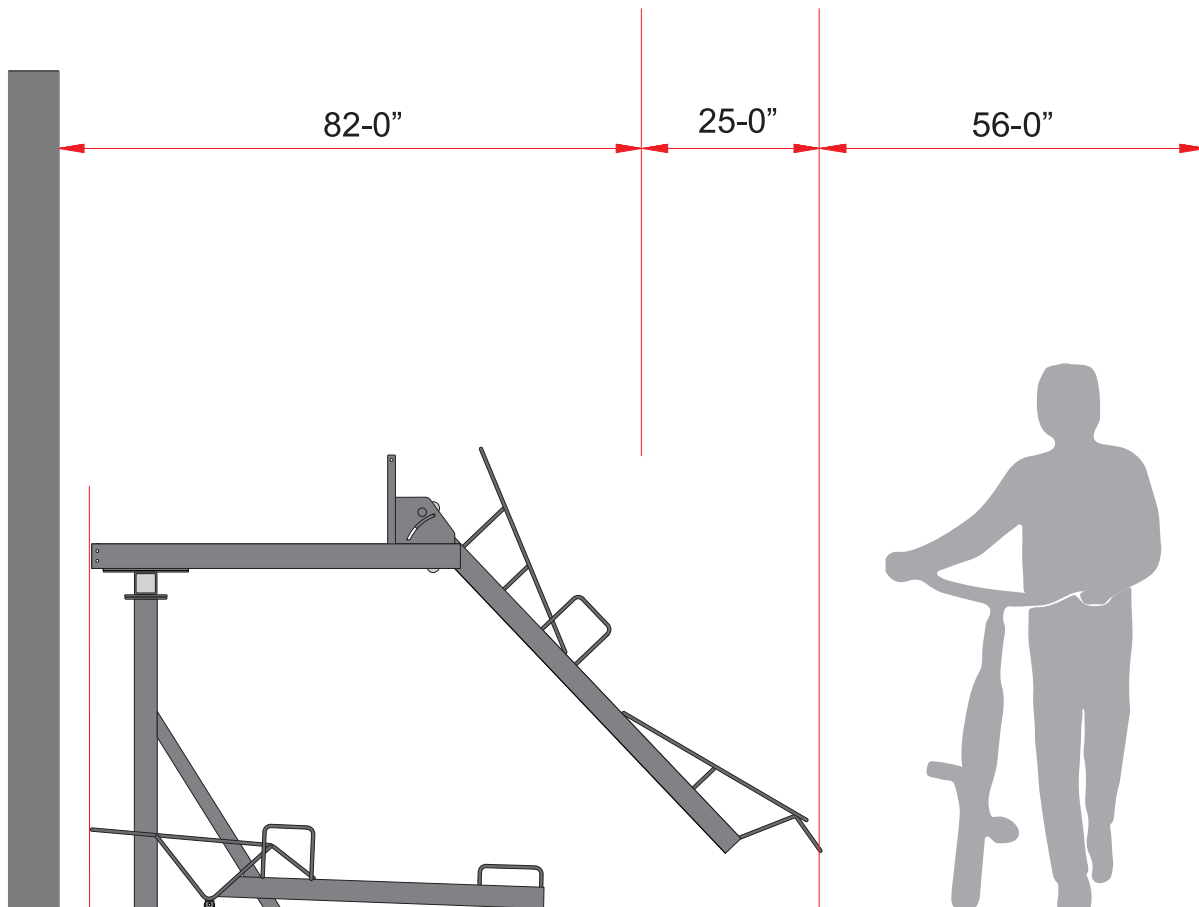
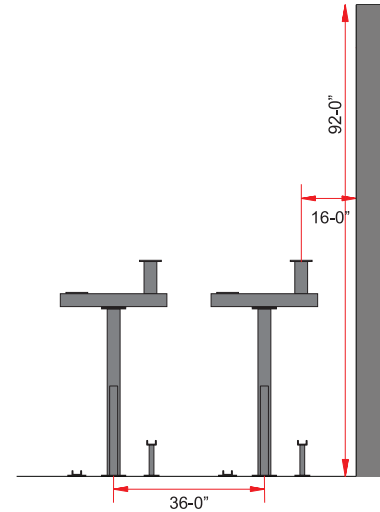
For more product and company information,
please visit us at www.urbanracks.com

Urban Double Stacker - Installation Guidelines

Clearances & Setbacks

Allow a minimum of 16" from the end racks to any adjacent walls or other structures.

Clearance to any overhead obstructions is recommended at 96", with a minimum of 92".



Allow a minimum of 4" of clearance from the rear of the supporting structure to any parallel walls or other obstructions.

URBAN RACKS

INNOVATIVE | BICYCLE PARKING

1-888-717-8881 sales@urbanracks.com

For more product and company information, please visit us at www.urbanracks.com