

# SS-P1000-1.0 Personal Scooter Station

Main features

Dimensions

Power requirements

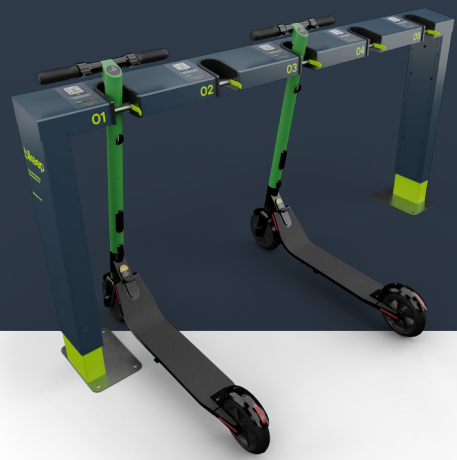
Operating environment

Using personal scooter station



# MAIN FEATURES

Standard Scooter station has 5 docks for 5 scooters.



## Default options

Feature	Default	Options	Comment
Standard colors	Body: RAL5008 (Gray-blue) Legs and locking bar: RAL6018 (Yellow-green)	RAL colors <a href="https://www.ralcolor.com/">https://www.ralcolor.com/</a>	Custom coloring can add up to 4 weeks to standard order times. The custom coloring adds extra handling costs.
Contactless card reader	Integrated contactless card reader (RFID reader)	No contactless card reader	The default station works with contactless cards and Bikeep App.
Integrated chargers	42V 1.7A (71W) chargers with standard DC connector. Segway Ninebot ES1, ES2, ES4 or Xiaomi M365/Pro.	No charger Third-party charger	Scooter chargers require a line power connection. Third-party charger adds extra handling costs



**Bikeep personal scooter station** is a scooter station where the scooter owners can lock and/or charge their personal scooters. The standard station has 5 docks.

### Integrated Segway chargers

Most scooters supported

### Contactless card reader

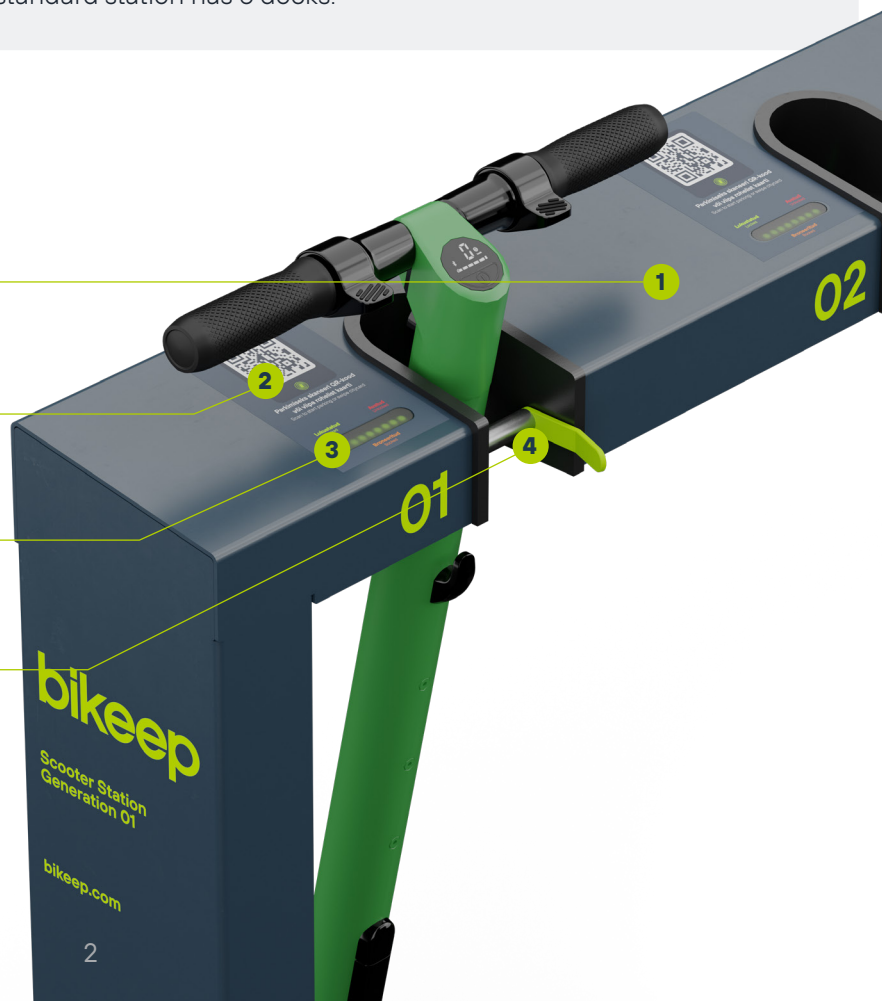
13.56Mhz reader

### Led indications

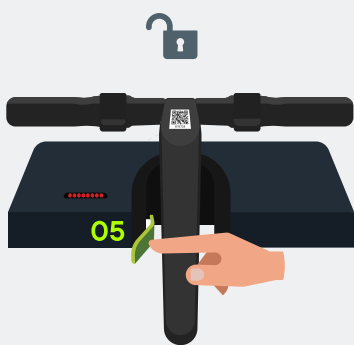
Open / Close / Reserved

### Locking bar

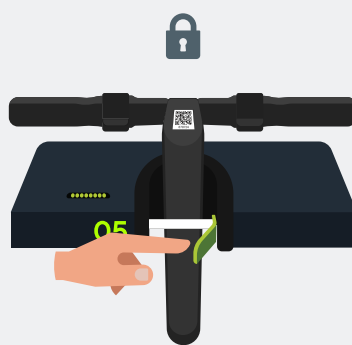
Easy to use, slide to lock



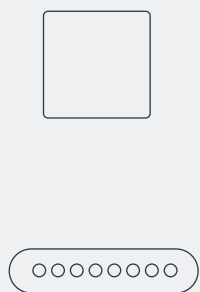
# Secure personal scooter locking



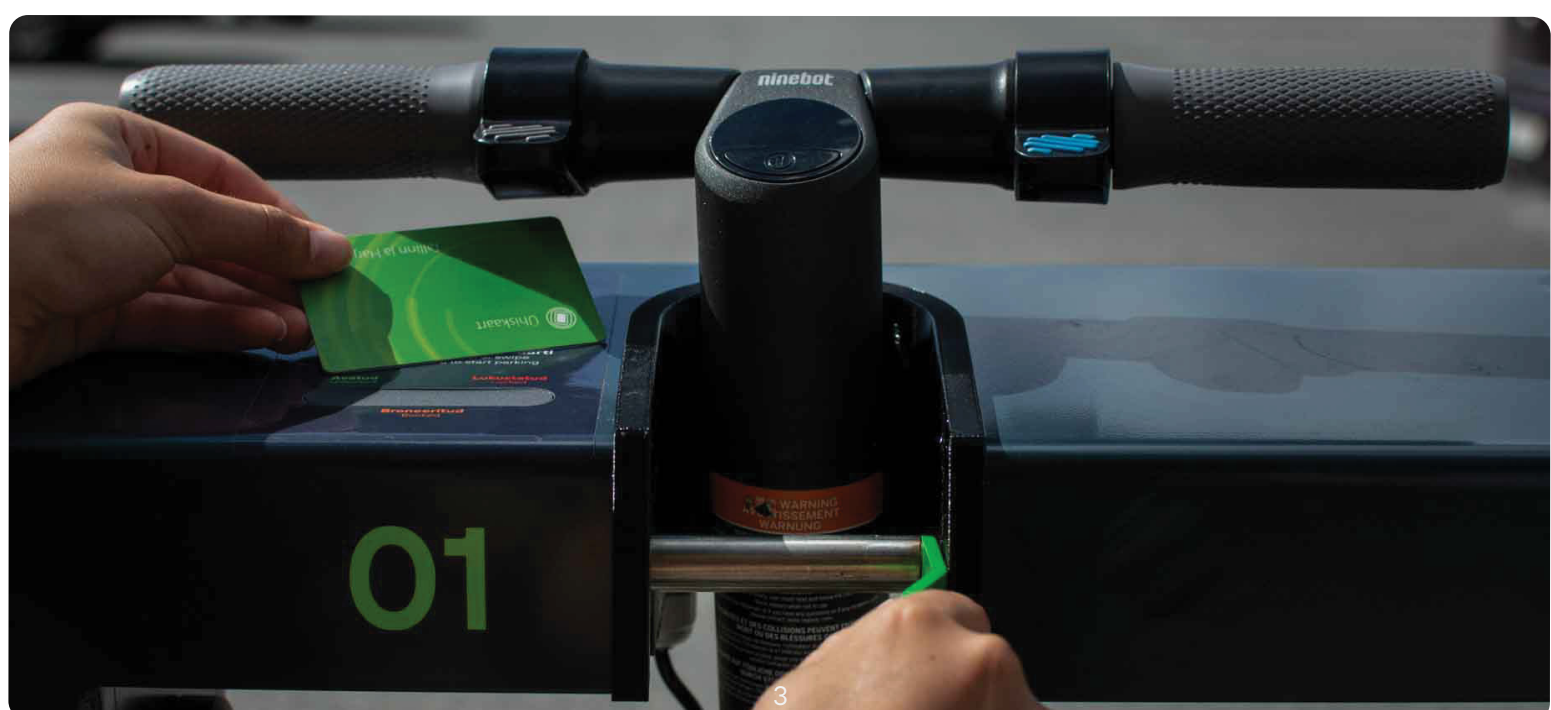
**Unlock** by opening the lever.



**Lock** by closing the lever.



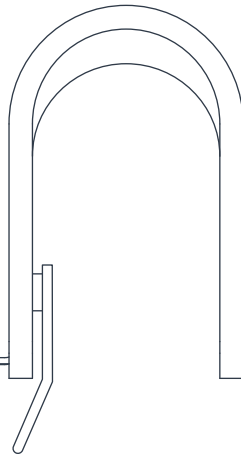
Standard scooter station dock can lock up to a 75mm (2.95 in) diameter scooter frame.



## Contactless card reader



- The card reader module provides you with access control via contactless cards or key fobs.
- The contactless card reader module supports most 13.56MHz cards (13.56MHz ISO14443A compatible).



## Led indication

Status (indication) LED shows the current state of the scooter station dock.

**Available**



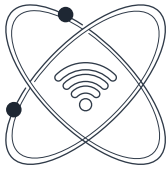
**Booked**



**Locked**



# Internet-connected



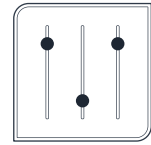
## Reliable connectivity.

Dual SIM functionality guarantees mission-critical connectivity in remote areas.



## Quick to deploy.

No need to wait for wired Internet access deployment, the solution can be preconfigured before installation on-site.

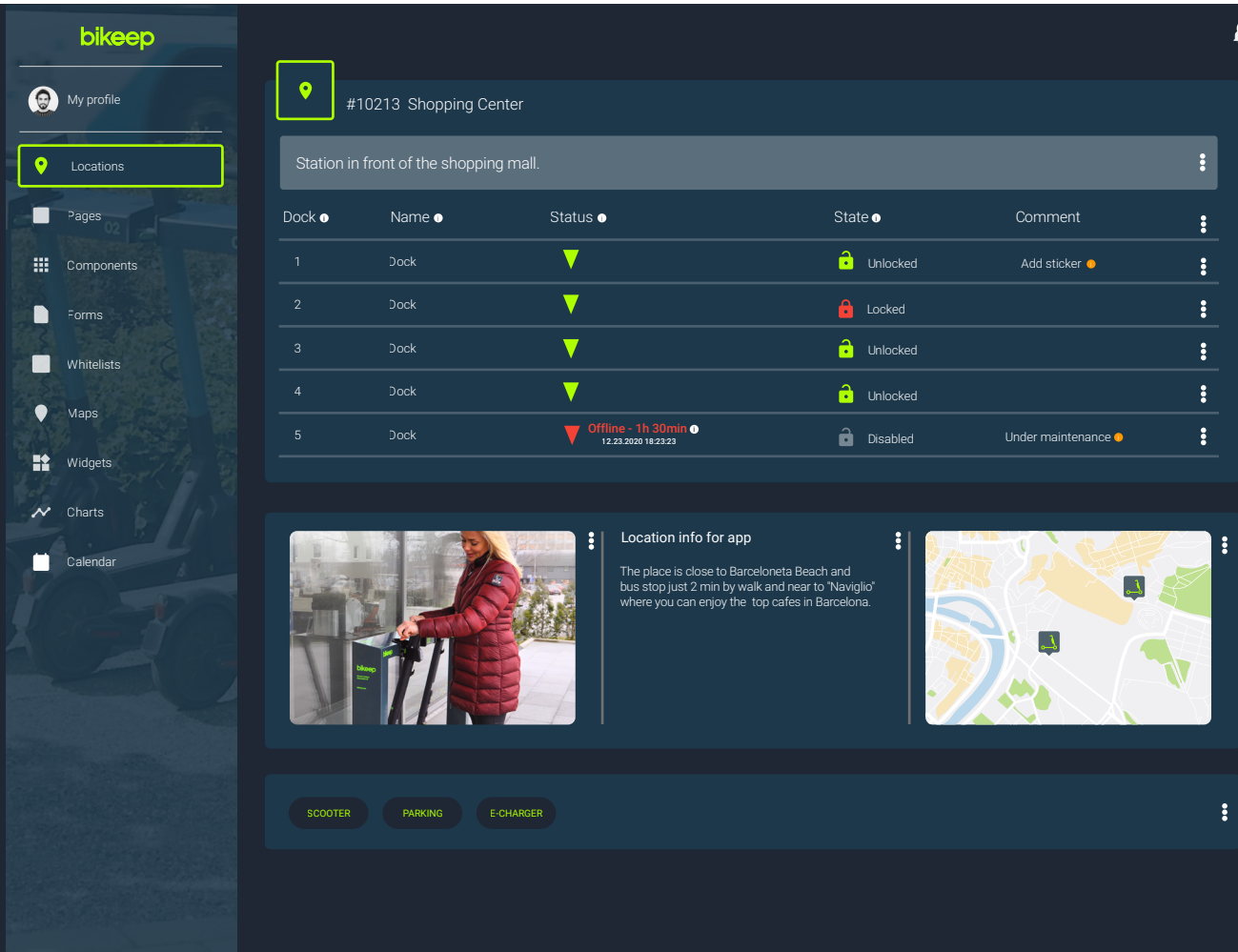


## Easy to manage.

With Bikeep console panel the system administrators can be in control of remote infrastructure with a convenient, user-friendly interface.

# Bikeep online console

 [console.bikeep.com](https://console.bikeep.com)



Dock	Name	Status	State	Comment
1	Dock	▼	Unlocked	Add sticker
2	Dock	▼	Locked	
3	Dock	▼	Unlocked	
4	Dock	▼	Unlocked	
5	Dock	Offline - 1h 30min 12.23.2020 18:23:23	Disabled	Under maintenance

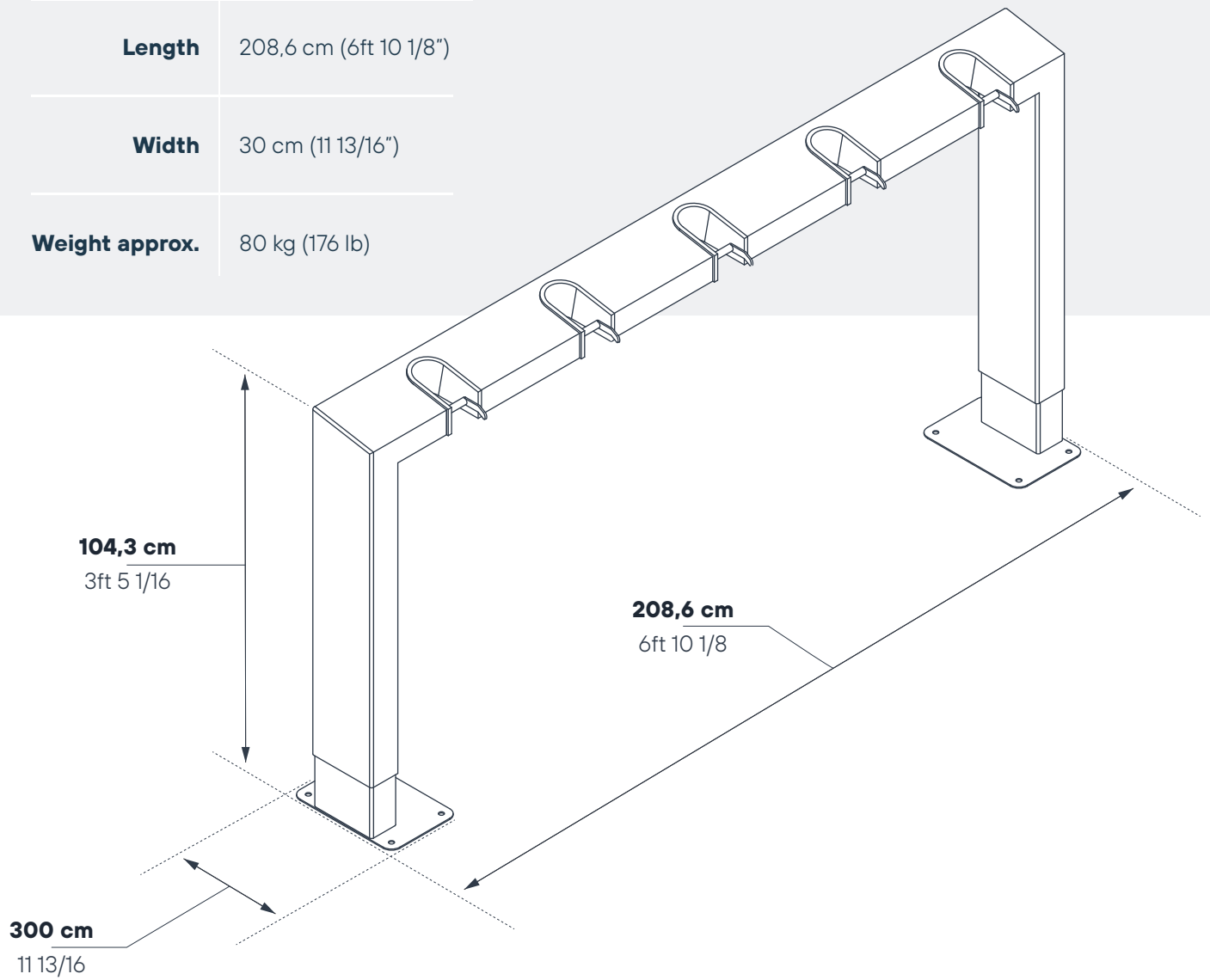
Location info for app: The place is close to Barceloneta Beach and bus stop just 2 min by walk and near to "Naviglio" where you can enjoy the top cafes in Barcelona.

SCOOTER   PARKING   E-CHARGER

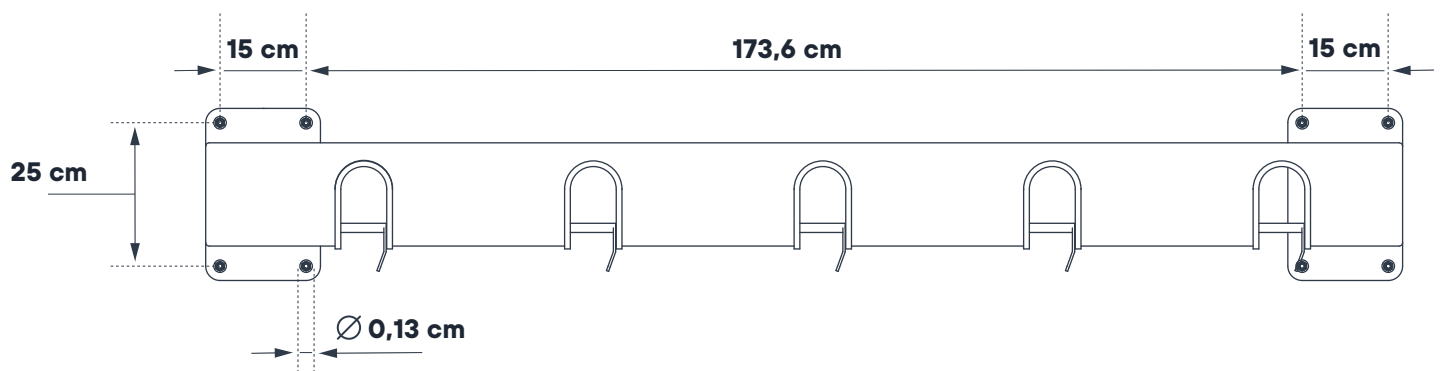
- Live sessions (start time, end time, durations, costs)
- Open/close docks remotely
- Alerts and alarms
- Statistics & Reports (daily sessions, new vs. returning users, utilization, peak hours, exports)
- Available and occupied docks
- Whitelist management (for limited access parking)

# DIMENSIONS

<b>Height</b>	104,3 cm (3ft 5 1/16")
<b>Length</b>	208,6 cm (6ft 10 1/8")
<b>Width</b>	30 cm (11 13/16")
<b>Weight approx.</b>	80 kg (176 lb)



## Installation and ground fixture

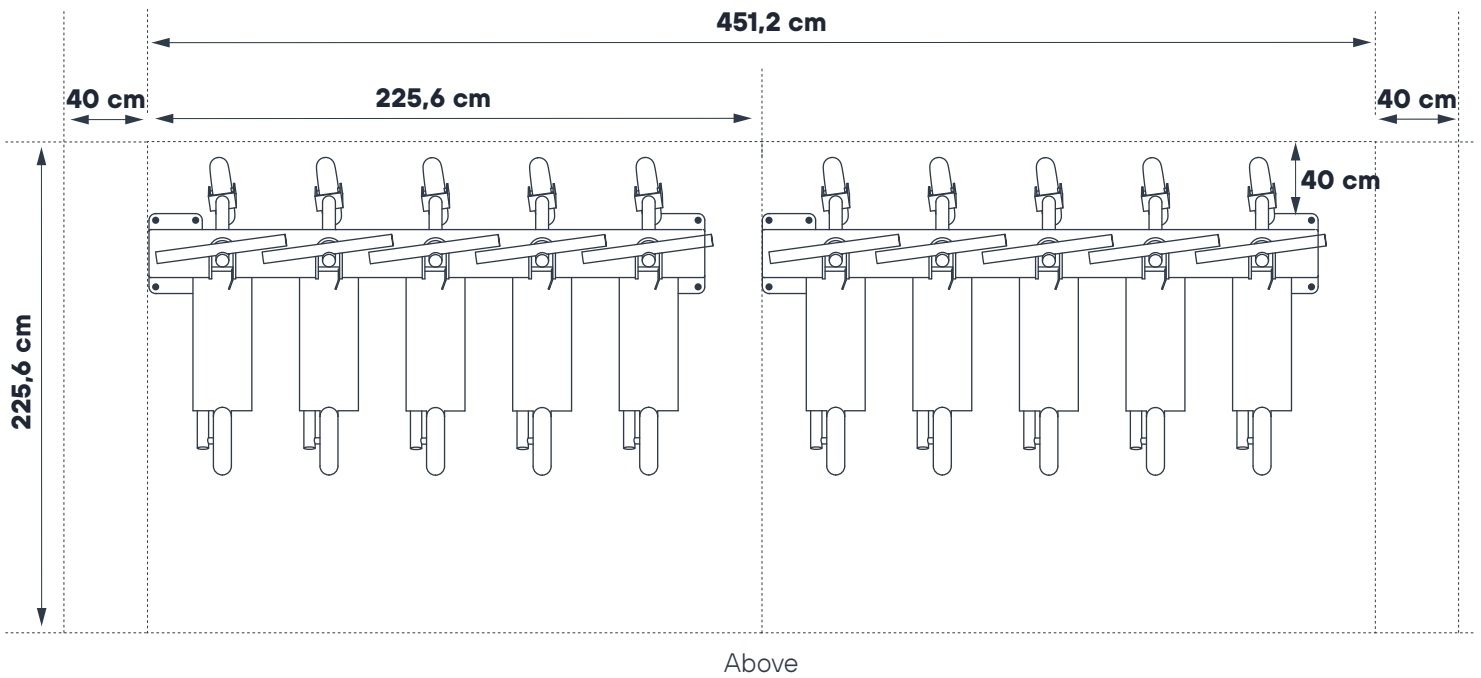
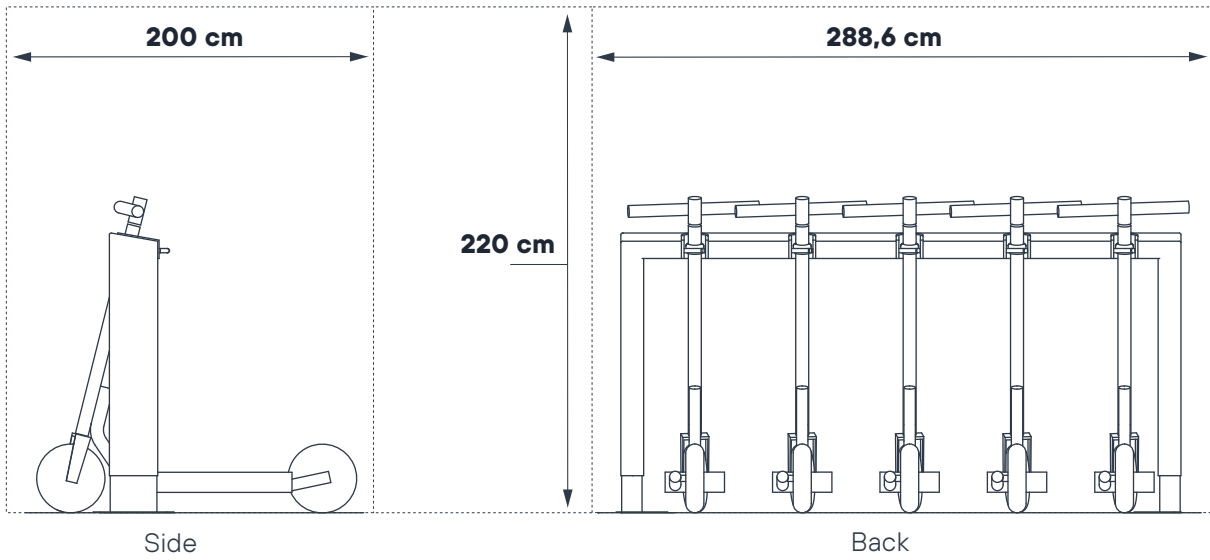


# Operational dimensions

**Height** 220 cm (7ft 2 5/8")

**Length** 288,6 cm (9ft 5 5/8")

**Width** 200 cm (6 6 3/4")



Recommended **minimal maneuvering space** on the left and right of the station is 400 mm (15.75 inches).

The recommended **minimum width for station installation** is 2000 mm (78.74 inches).

**Every five-place module adds 2256 mm (88.82 inches) to overall station length.**

# POWER REQUIREMENTS

## Scooter locking only

**Input voltage:** 24DC or 110/230VAC  
1W per dock and 10W per main controller

Nr. of docks	Power consumption	Power requirement
5 dock station	15W	Less than 1A @230VAC <b>or</b> Less than 1A @110VAC
10 dock station	20W	Less than 1A @230VAC <b>or</b> Less than 1A @110VAC
15 dock station	25W	Less than 1A @230VAC <b>or</b> Less than 1A @110VAC
25 dock station	40W	Less than 1A @230VAC <b>or</b> Less than 1A @110VAC

## Scooter locking & Charging station

**Input voltage:** 110/230VAC  
⚠ Scooter chargers require line power 110/230VAC

Nr. of docks	Power consumption	Power requirement for E-charger Station
5 dock station	0.75kW	3.25A @230VAC <b>or</b> ~7 @110VAC
10 dock station	1.5kW	6.5A @230VAC <b>or</b> ~14A @110VAC
20 dock station	3kW	13A @230VAC <b>or</b> ~27A @110VAC

Calculations based on 150W e-scooter chargers that are charging at full load.  
The actual power requirements may be smaller.





# OPERATING ENVIRONMENT



## Operating temperature

-35°C to 70°C



## Ingress Protection Rating

IP55



## Operating humidity

10% to 90% non-condensing



## MTBF

230 000h

## Regulatory approvals



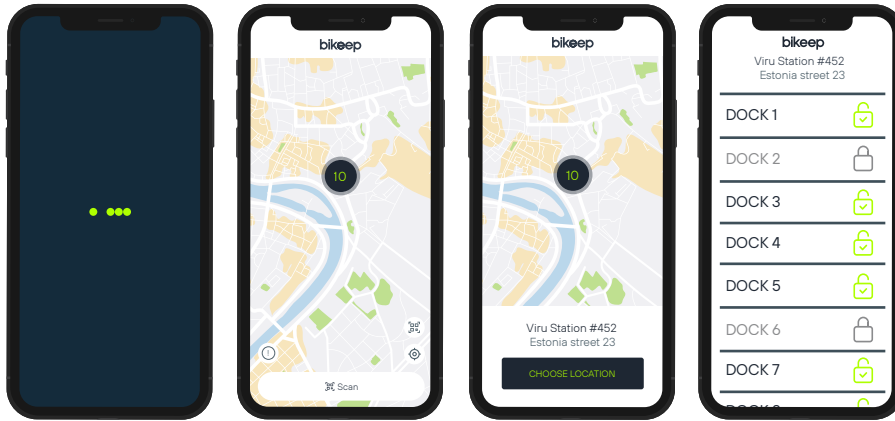
## Materials

- 3 mm stainless steel sheet metal
- Corrosivity category C4
- Teknos INFRALIT powder coating



# USING PERSONAL SCOOTER STATION

## Bikeep Mobile app



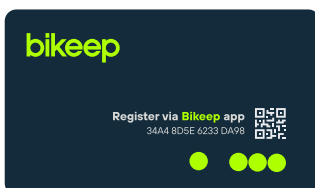
- Viewing/searching available locations
- Locking/unlocking dock
- Scanning QR code with the camera (to initiate locking process)
- Adding a credit card to account and paying for paid parking sessions (usually free parking)
- Registering to private (whitelisted) locations

## Contactless card

Works with most 13.56MHz compatible cards (City cards, Public transportation cards, Bank cards).



Bikeep can provide pre-whitelisted Bikeep cards or stickers for the limited access locations.



## External API

 [docs.bikeep.com](https://docs.bikeep.com)

Station docks can be opened, closed, monitored from 3th party applications.