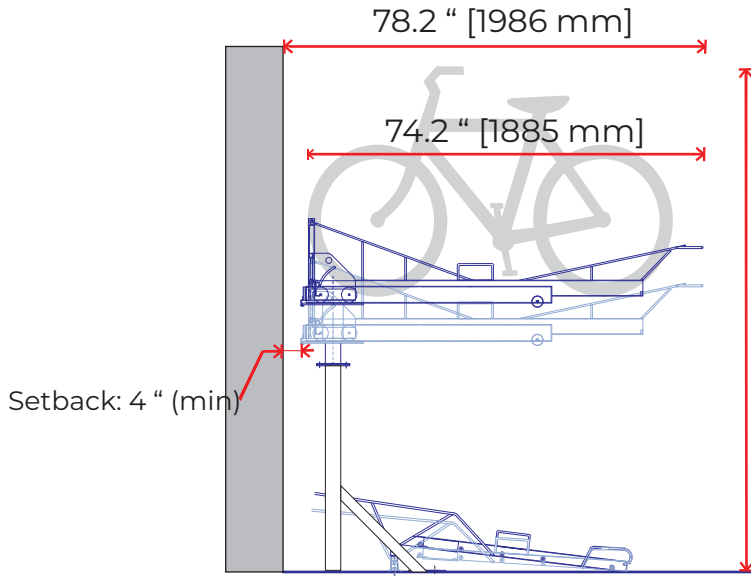


# Urban Double Stacker (Standard Aisle)

**URBAN RACKS**  
INNOVATIVE | BICYCLE PARKING



## Capacity

Bicycle Per Set	2 (One Up and One Down)
Bicycle Spacing	18" or 24" [457 mm or 610 mm]
Rise Differential	6 or 8" [152 mm or 203 mm]

## Weight

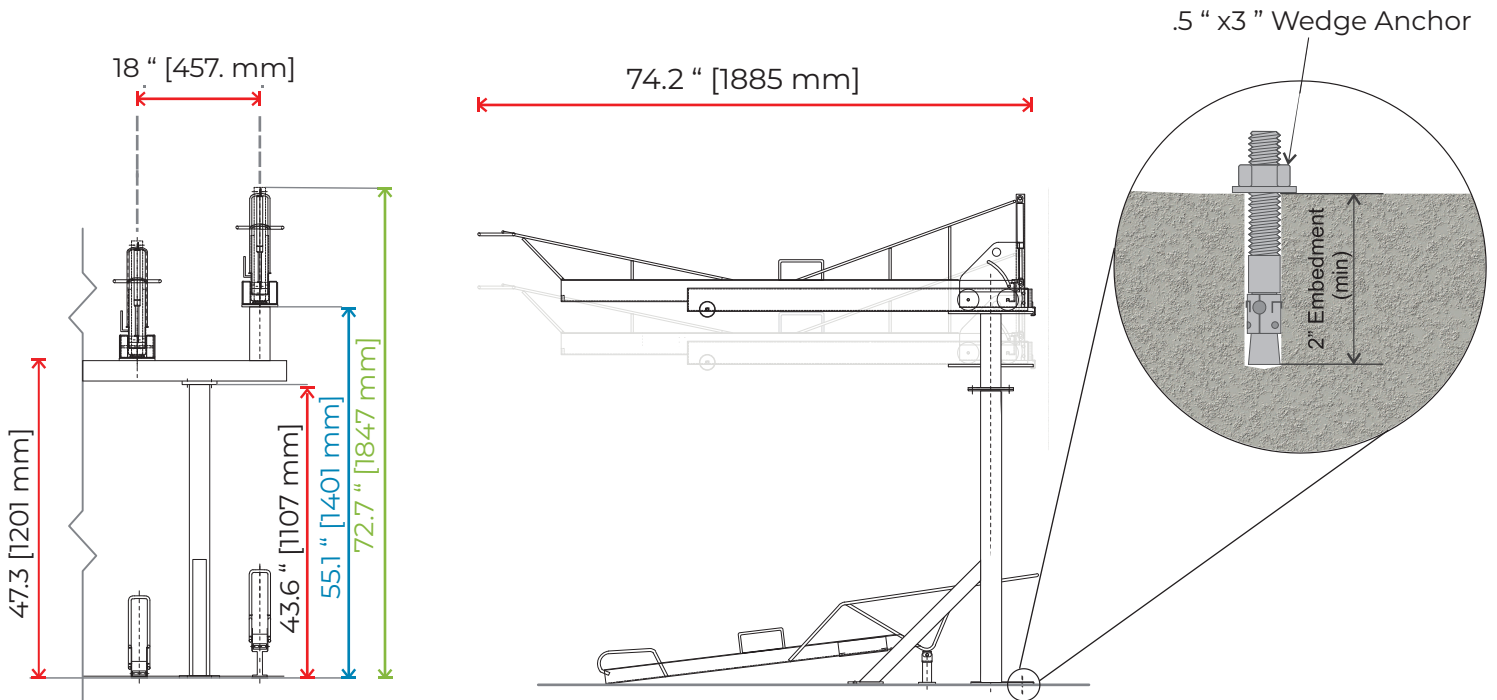
Per Two Bicycle Spaces	90lbs [40.75 kg]
------------------------	------------------

## Materials

Assembly Material	Steel
-------------------	-------

## Available Finishes

Powder Coated (RAL 7016 - Anthracite Grey)
Hot-Dipped Galvanized



These drawings are not for construction purposes and are for information purposes only. All information contained herein was current at the time of development but must be reviewed and confirmed by Urban Racks to be considered accurate.

[www.urbanracks.com](http://www.urbanracks.com) | [sales@urbanracks.com](mailto:sales@urbanracks.com)  
+1-888-717-8881 | [@urbanracks](https://www.urbanracks.com)

© Urban Racks Bicycle Parking Systems Inc., 2020. All Rights Reserved.

