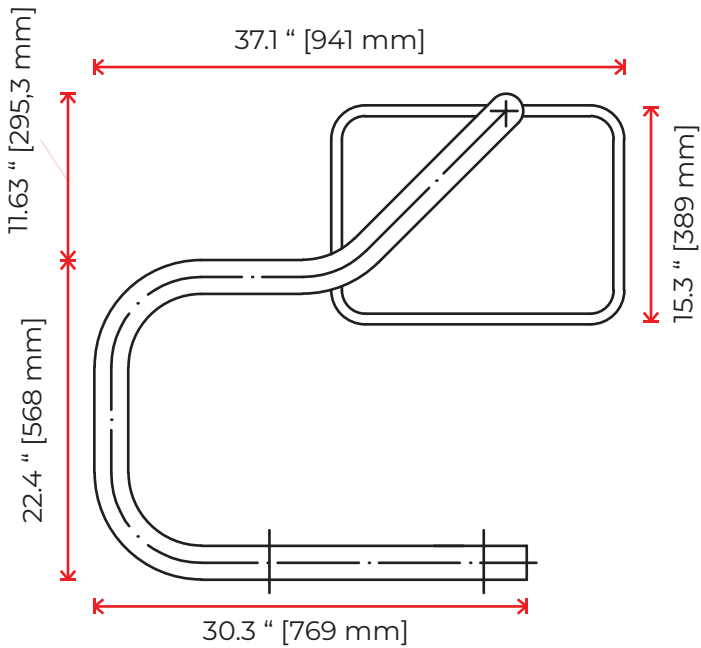


Urban Hanger (2)



Capacity

Number of Bicycles (one-sided)	2
Number of Bicycles (two-sided)	4
Bicycle Spacing	10.9" [228 mm]

Weight

Total Weight	76.7 lbs [34.8 kg]
--------------	--------------------

Materials

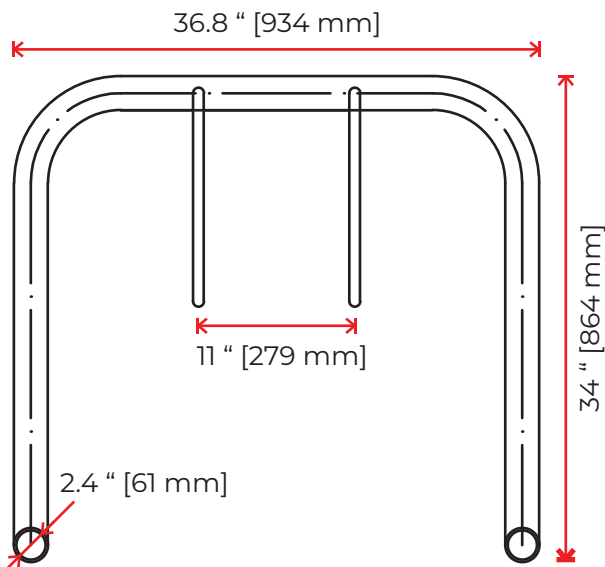
Assembly Material	Steel
Pipe Diameter	2.37 in [60 mm]
Pipe Thickness	0.15" [4 mm]
Rod Thickness	0.78" [20 mm]

Anti-theft Feature

Optional Tamper-proof Security Bolts

Available Finishes

- Powder Coated
- Hot-dipped Galvanized
- Stainless Steel



These drawings are not for construction purposes and are for information purposes only. All information contained herein was current at the time of development but must be reviewed and confirmed by Urban Racks to be considered accurate

www.urbanracks.com | sales@urbanracks.com
+1-888-717-8881 | [@urbanracks](https://www.instagram.com/urbanracks)

© 2020 Urban Racks Bicycle Parking Systems Inc. All Rights Reserved.

