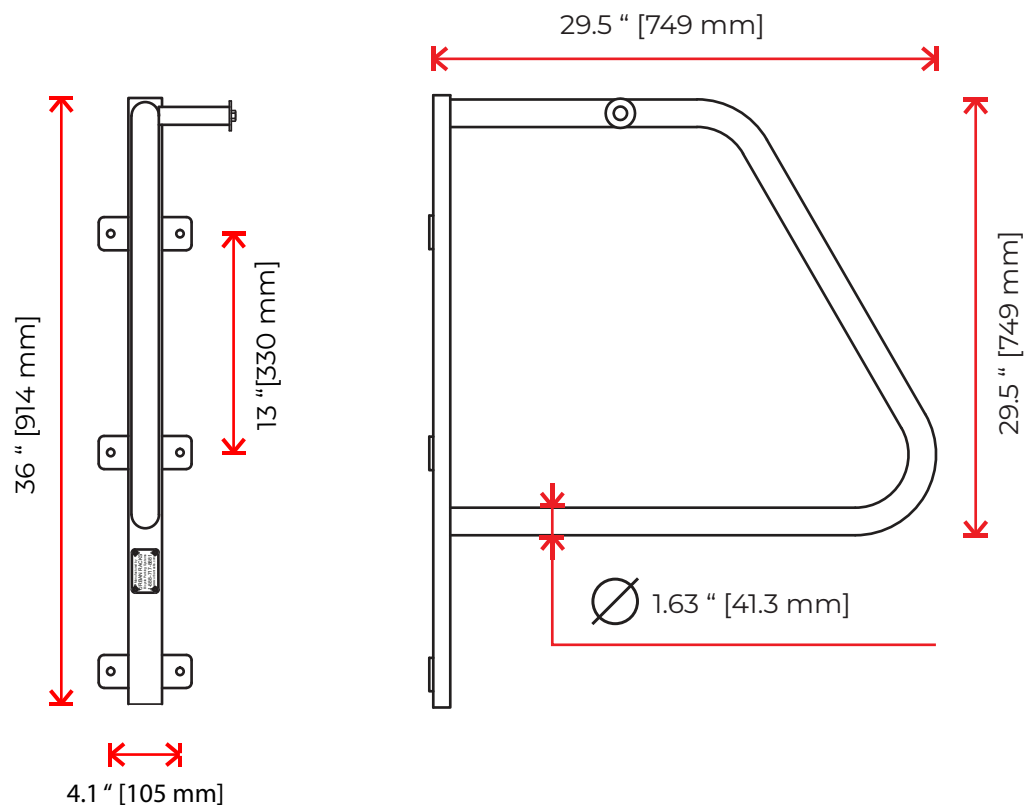


Urban High Density

URBAN RACKS
INNOVATIVE | BICYCLE PARKING



Capacity

Number of Bicycles	1 Per Rack
Bicycle Spacing	16" [406.4 mm]

Weight

Total Weight	16 lbs [7.3kg]
--------------	----------------

Materials

Assembly Material	Steel
Pipe Diameter	1.63" [41 mm]
Pipe thickness	0.15" [4 mm]
Rod thickness	0.39" [10 mm]

Anti-theft feature

Optional Tamper-proof Security Bolts

Available finishes

Powder Coated
Hot-dipped Galvanized

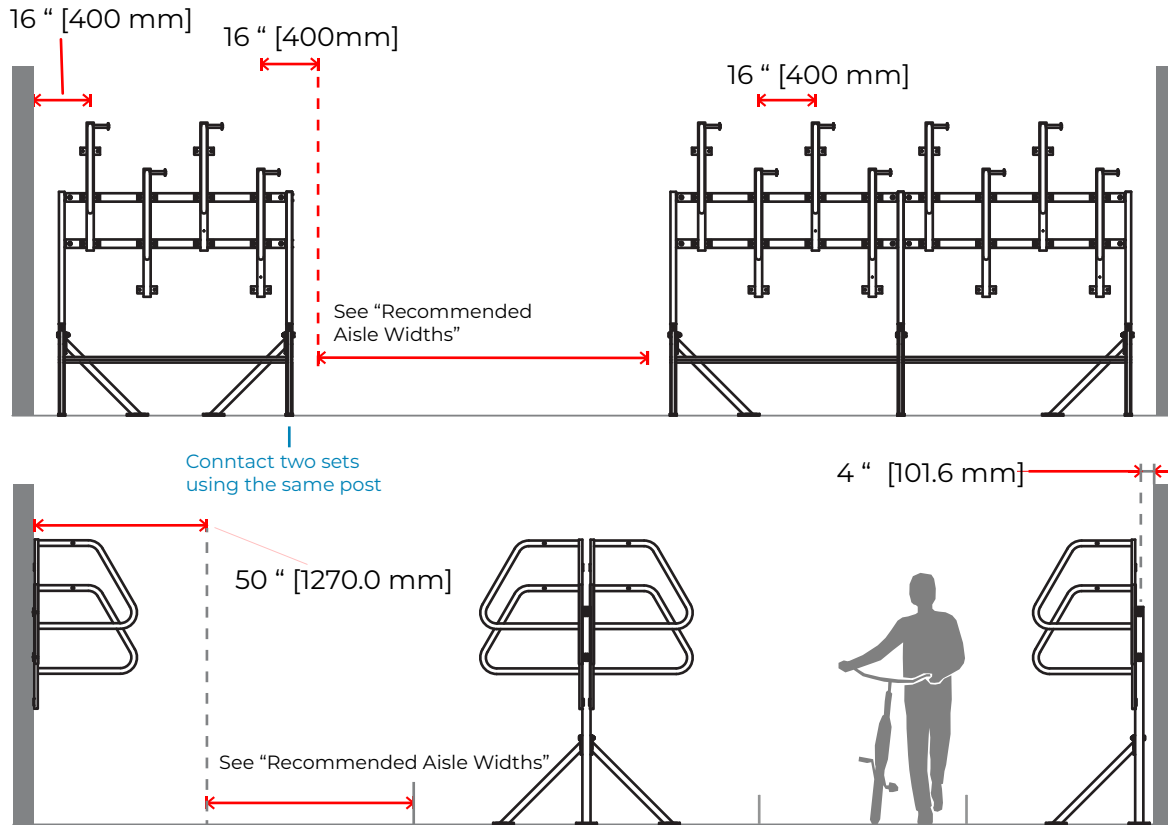


These drawings are not for construction purposes and are for information purposes only. All information contained herein was current at the time of development but must be reviewed and confirmed by Urban Racks to be considered accurate.

www.urbanracks.com | sales@urbanracks.com
+1-888-717-8881 | [@urbanracks](https://www.instagram.com/urbanracks)

© 2020 Urban Racks Bicycle Parking Systems Inc. All Rights Reserved.





Single Unit Details

In addition to the following configurations, each rack is available individually to allow custom configurations.

Recommended Aisle Widths

High traffic	≥ 70 in [175 cm]
Typical	60 in [150 cm]
Minimum	48 in [125 cm]

Handlebar clearance

At all times, a minimum of 16 " [40 cm] must be left on each side of the structure, calculated from the center of the last and first bicycle parking place.

Joining bicycle racks

Standalone models segments can be joined by a single post at each end to preserve 16 in [40 cm] between each bicycle parking space.

Wall clearance

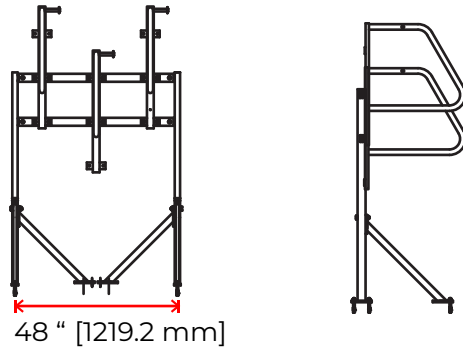
Wall clearance from the wall for single-sided standalone structures is a minimum of 4 in [10 cm], calculated from the center of the post closest to the wall.



These drawings are not for construction purposes and are for information purposes only. All information contained herein was current at the time of development but must be reviewed and confirmed by Urban Racks to be considered accurate.



3SSS



Capacity

Number of Bicycles	1 per rack
Bicycle Spacing	16 in [406.4 mm]

Weight

Total Weight	16 lbs [7.3kg]
--------------	----------------

Materials

Assembly Material	Steel
Pipe Radius	2.37 in [60.20 mm]
Pipe Thickness	0.15 in [3.91 mm]
Rod Thickness	0.39 in [9.91 mm]

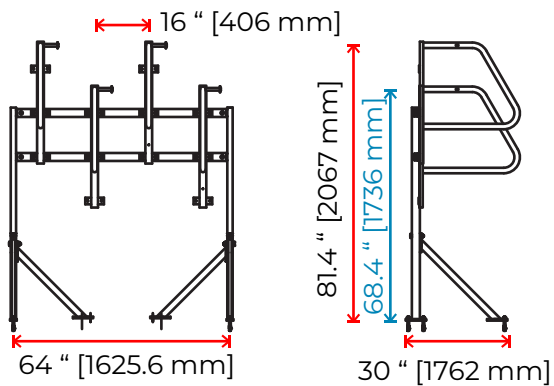
Anti-theft feature

Optional Tamper-proof Security Bolts

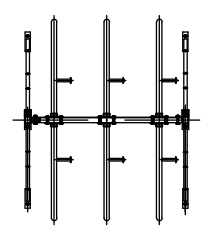
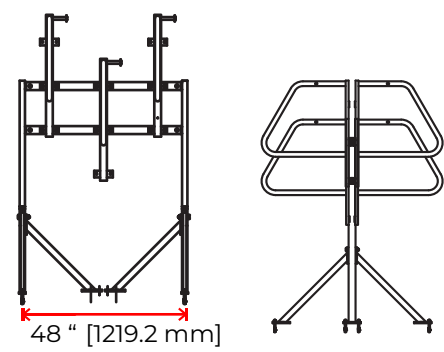
Available finishes

Powder Coated
Hot-dipped Galvanized
Stainless Steel

4SSS



3SSS



Capacity

4DSS

8 Bicycles

3DSS

6 Bicycles

Bicycle spacing

16 " [406.4 mm]

Materials

Assembly Material Steel

Anti-theft feature

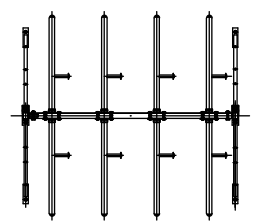
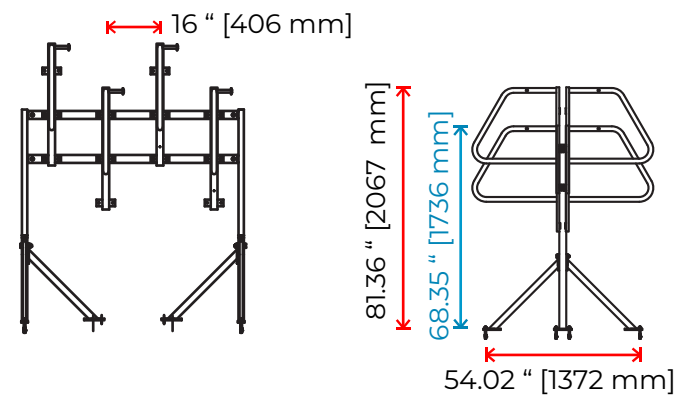
Optional Tamper-Proof Security Bolts

Available finishes

Powder Coated

Hot-dipped Galvanized

4SSS



These drawings are not for construction purposes and are for information purposes only. All information contained herein was current at the time of development but must be reviewed and confirmed by Urban Racks to be considered accurate

