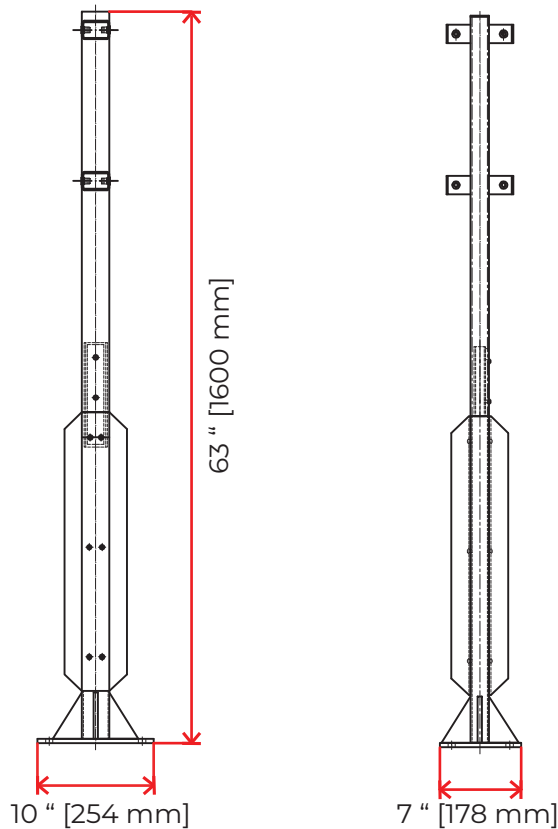


Urban Parking Stall



Capacity

Number of Bicycles 1 or 2 bike configurations

Weight

Total Weight 64 lbs [29kg]

Materials

Assembly Material Steel

Pipe Thickness 0.12 " [3.05 mm]

Pipe Dimension 2.36 x 1.57 " [59.95 x 39.88mm]

Anti-theft Feature

Optional Tamper-proof Security Bolts

Available Finishes

Powder Coated

Wall clearance

Wall clearance from the stand is a minimum 12 in [30.5 cm] from the center of the post. This allows for adequate handlebar clearance.

